

# MODORE 95 SINGLE-SIDED FIREPLACE



EuropeanHome

Manufacturer and Importer of high-end Gas, Wood and Electric Fireplaces



Dutch designs imported  
from the Netherlands

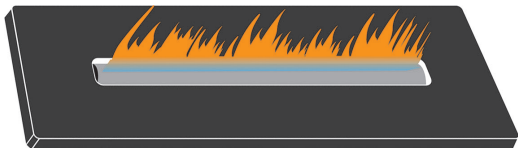


## SPECIFICATIONS

<b>GAS TYPE</b>	Natural Gas or Propane
<b>BURNER</b>	Single Burner
<b>HEAT OUTPUT (NATURAL GAS)</b>	17,050 - 36,200 BTU/hr
<b>HEAT OUTPUT (LIQUID PROPANE)</b>	13,650 - 32,400 BTU/hr
<b>VIEWABLE OPENING</b>	36 <sup>5</sup> / <sub>16</sub> W x 16 <sup>13</sup> / <sub>16</sub> H
<b>WEIGHT</b>	251 lbs.
<b>VENTING</b>	Requires 5" x 8" Direct Vent
<b>FLAME ADJUSTMENT</b>	Yes
<b>INTERIOR</b>	Black Anthracite (Standard)
<b>REMOTE CONTROL</b>	Yes
<b>ELECTRIC IGNITION</b>	Yes
<b>CERTIFICATION</b>	ANSI Z21.11.50a-2008, CSA 2.22a-2008 - Vented Gas Fireplaces
<b>MASS APPROVAL CODE</b>	G3-0219-3
<b>EFFICIENCY</b>	83%

# PRODUCT OPTIONS & ACCESSORIES

## SINGLE BURNER SYSTEM



PRODUCT	ITEM CODE
MODORE 95	E4-MOD-95-KIT

## PROPANE (LP) CONVERSION KIT

PRODUCT	ITEM CODE
For 95 Models	E4-SA-LPCK-14

## CONVECTION AIR OPENING TRIMS



PRODUCT	ITEM CODE
Opening Size 8" x 1.75" Frame Size 10.5" x 3.75"	E4-SA-PF-CAOT-8-02
Opening Size 10" x 2.5" Frame Size 12" x 4.5"	E4-SA-PF-CAOT-10-03
Opening Size 11" x 3" Frame Size 12.5" x 4.5"	E4-SA-PF-CAOT-11-03
Opening Size 11" x 5.5" Frame Size 13" x 7.5"	E4-SA-PF-CAOT-11.5-02
Opening Size 20" x 1.75" Frame Size 22" x 3.75"	E4-SA-PF-CAOT-20-03
Opening Size 25" x 2" Frame Size 27" x 4"	E4-SA-PF-CAOT-25-03
Opening Size 34" x 1.75" Frame Size 36" x 3.75"	E4-SA-PF-CAOT-34-02
Opening Size 36" x 1.75" Frame Size 38" x 3.75"	E4-SA-PF-CAOT-36-03
Opening Size 38" x 2.5" Frame Size 40" x 4.5"	E4-SA-PF-CAOT-38-02
Opening Size 40" x 1.75" Frame Size 42" x 3.75"	E4-SA-PF-CAOT-40-03
Opening Size 50" x 2" Frame Size 52" x 4"	E4-SA-PF-CAOT-50-02

## FIRE MEDIA - LANDSCAPE SERIES



FALLEN BIRCH



FOREST PATH



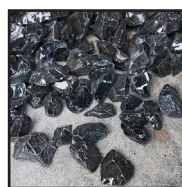
LOG SET



TUNDRA

PRODUCT	ITEM CODE
FALLEN BIRCH	For 95 Models E4-FM-FB-45
FOREST PATH	For 95 Models E4-FM-FP-45
LOG SET	For 95 Models E4-LSE-45 II
TUNDRA	For 95 Models E4-FM-TN-45

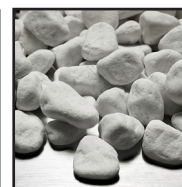
## FIRE MEDIA - CLASSIC SERIES



BLACK QUARTZ



BRILLIANTS



CARRARA PEBBLES



GRAY STONES

PRODUCT	ITEM CODE
BLACK QUARTZ	For 95 Models E4-STBGE4-7
BRILLIANTS	For 95 Models E4-STDE4-6
CARRARA PEBBLES	For 95 Models E4-STC4-2
GRAY STONES	For 95 Models E4-FM-GS-5

## INTERIOR BLACK REFLECTIVE PANELS

PRODUCT	ITEM CODE
For 95 Models	E4-CP-BG-MOD-95

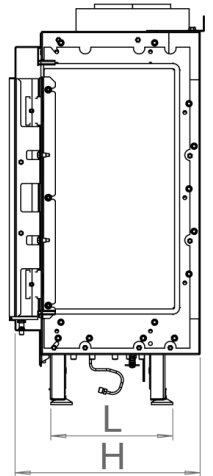
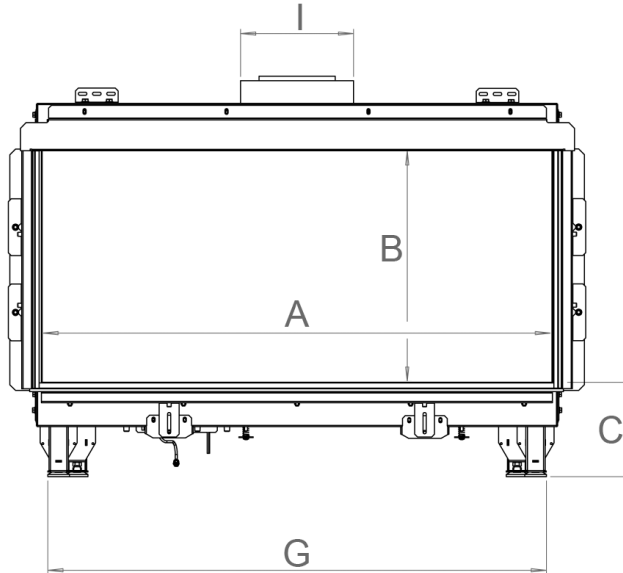
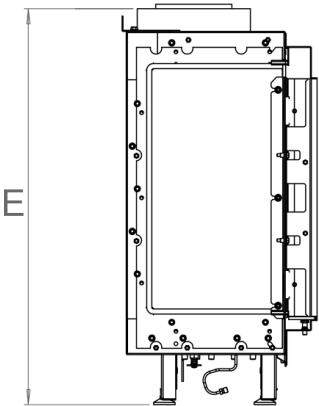
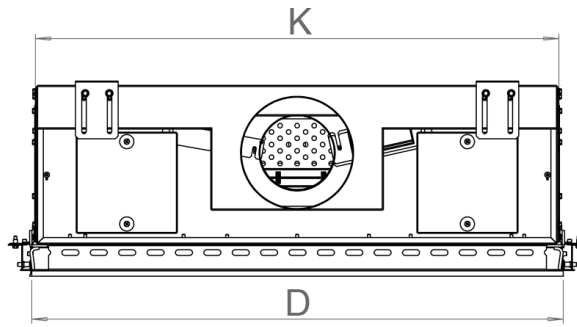
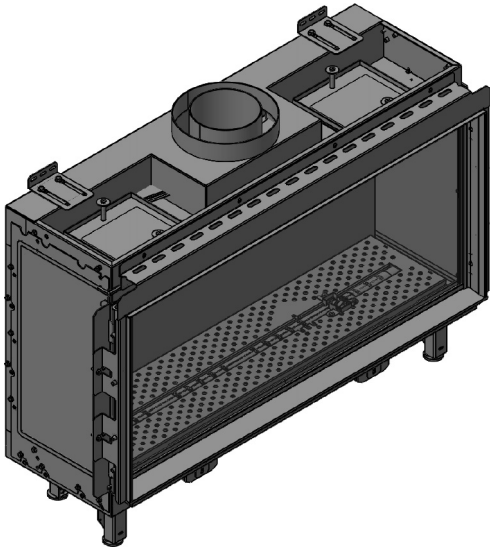
## INTERIOR CONCRETE STYLE PANELS

PRODUCT	ITEM CODE
For 95 Models	E4-CP-CON-95-FR

## MISC ACCESSORIES

PRODUCT	ITEM CODE
Home Automation Cable	E4-SA-SHSC-02
Wi-fi Enabling Kit	E4-GS-Wifi
Puck Smart Control	E4-GS-PUCK-02
Dealer Service Case	E4-SVC-Case-02

# CUT SHEET



LETTER	A	B	C	D	E	G	H	I	K	L
INCHES	36 <sup>5</sup> / <sub>16</sub>	16 <sup>13</sup> / <sub>16</sub>	6 <sup>9</sup> / <sub>16</sub>	36 <sup>7</sup> / <sub>8</sub>	27 <sup>7</sup> / <sub>16</sub>	34 <sup>9</sup> / <sub>16</sub>	12 <sup>13</sup> / <sub>16</sub>	7 <sup>3</sup> / <sub>16</sub>	36 <sup>5</sup> / <sub>16</sub>	8 <sup>7</sup> / <sub>16</sub>
[MILLIMETERS]	[922]	[427]	[166]	[936]	[697]	[878]	[325]	[198]	[322]	[214]

# VENTING CHARTS

The tables below are the same for fireplaces with vent collar diameter 5/8 and 4/6. Fireplaces in this category are never to be reduced to ensure a correctly functioning fireplace.

### 3.1.1 Calculation table horizontal termination 5/8 inch

Total Vertical Length	36'	R	R	R	R	R	R	R	R	R	R	R	R	R	R	V	V	V	V
	33'	R	R	R	R	R	R	R	R	R	R	R	R	R	R	V	V	V	V
	30'	R	R	R	R	R	R	R	R	R	R	R	R	R	R	V	V	V	V
	27'	R	R	R	R	R	R	R	R	R	R	R	R	R	R	V	V	V	V
	24'	R	R	R	R	R	R	R	R	R	R	R	R	R	R	V	V	V	V
	21'	R	R	R	R	R	R	R	R	R	R	R	R	R	R	V	V	V	V
	18'	R	R	R	R	R	R	R	R	R	R	R	R	R	R	V	V	V	V
	15'	R	R	R	R	R	R	R	R	R	R	R	R	R	R	V	V	V	V
	13'6"	R	R	R	R	R	R	R	R	R	R	R	R	R	R	V	V	V	V
	12'	R	R	R	R	R	R	R	R	R	R	R	R	R	R	V	V	V	V
	10'6"	R	R	R	R	R	R	R	R	R	R	R	R	R	R	V	V	V	V
	9'	V	V	V	V	V	V	V	V	V	V	V	V	V	V	V	V	V	V
	7'6"	V	V	V	V	V	V	V	V	V	V	V	V	V	V	V	V	V	V
	6'	V	V	V	V	V	V	V	V	V	V	V	V	V	V	V	V	V	V
	4'6"	V	V	V	V	V	V	V	V	V	V	V	V	V	V	X	X	X	X
	3'	V	V	V	V	V	V	V	V	V	X	X	X	X	X	X	X	X	X
20"	V	V	V	V	X	X	X	X	X	X	X	X	X	X	X	X	X	X	
		20"	3'	4'6"	6'	7'6"	9'	10'6"	12'	13'6"	15'	16'6"	18'	19'6"	21'	22'6"	24'		

### 3.1.2 Calculation table vertical termination 5/8 inch

For a vertical termination a minimal starting length of 20" before an elbow is required and - **Total Vertical Length** is 3'.

Total Vertical Length	72'	V	V	X	X	X	X	X	X	X	X	X	X	X	X	X	X	X
	69'	R	R	V	V	X	X	X	X	X	X	X	X	X	X	X	X	X
	66'	R	R	R	R	V	V	X	X	X	X	X	X	X	X	X	X	X
	63'	R	R	R	R	R	R	V	V	X	X	X	X	X	X	X	X	X
	60'	R	R	R	R	R	R	R	R	V	V	X	X	X	X	X	X	X
	57'	R	R	R	R	R	R	R	R	R	R	V	V	X	X	X	X	X
	54'	R	R	R	R	R	R	R	R	R	R	R	R	V	V	X	X	X
	51'	R	R	R	R	R	R	R	R	R	R	R	R	R	R	V	V	V
	48'	R	R	R	R	R	R	R	R	R	R	R	R	R	R	V	V	V
	45'	R	R	R	R	R	R	R	R	R	R	R	R	R	R	V	V	V
	42'	R	R	R	R	R	R	R	R	R	R	R	R	R	R	V	V	V
	39'	R	R	R	R	R	R	R	R	R	R	R	R	R	R	V	V	V
	36'	R	R	R	R	R	R	R	R	R	R	R	R	R	R	V	V	V
	33'	R	R	R	R	R	R	R	R	R	R	R	R	R	R	V	V	V
	30'	R	R	R	R	R	R	R	R	R	R	R	R	R	R	V	V	V
	27'	R	R	R	R	R	R	R	R	R	R	R	R	R	R	V	V	V
	24'	R	R	R	R	R	R	R	R	R	R	R	R	R	R	V	V	V
	21'	R	R	R	R	R	R	R	R	R	R	R	R	R	R	V	V	V
	18'	R	R	R	R	R	R	R	R	R	R	R	R	R	R	V	V	V
	15'	R	R	R	R	R	R	R	R	R	R	R	R	R	R	V	V	V
	13'6"	R	R	R	R	R	R	R	R	R	R	R	R	R	R	V	V	V
	12'	R	R	R	R	R	R	R	R	R	R	R	R	R	R	V	V	V
	10'6"	R	R	R	R	R	R	R	R	R	R	R	R	R	R	V	V	V
	9'	V	V	V	V	V	V	V	V	V	V	V	V	V	V	V	V	V
7'6"	V	V	V	V	V	V	V	V	V	V	V	V	V	V	V	V	V	
6'	V	V	V	V	V	V	V	V	V	V	V	V	V	V	V	V	V	
4'6"	V	V	V	V	V	V	V	V	V	V	V	V	V	V	X	X	X	
3'	V	V	V	V	V	V	V	V	V	X	X	X	X	X	X	X	X	
		0	20"	3'	4'6"	6'	7'6"	9'	10'6"	12'	13'6"	15'	16'6"	18'	19'6"	21'	22'6"	24'

# VENTING CLEARANCES

## 3.1.3 Calculation table vent diameter 4/6 inch

**Please note:** This table is only applicable when vent is reduced. Fireplaces with a 4/6 vent collar do not apply to this table, but instead **table 3.6.1** or **3.6.2** is to be used.

For a vertical termination a **Total Vertical Length** of at least 7 feet is necessary!

Total Vertical Length	36'	V	V	X	X	X	X	X
	33'	R	R	V	V	X	X	X
	30'	R	R	R	R	V	V	X
	27'	R	R	R	R	R	R	V
	24'	R	R	R	R	R	R	V
	21'	R	R	R	R	R	R	V
	18'	R	R	R	R	R	R	V
	15'	R	R	R	R	R	V	X
	13'6"	R	R	R	R	V	X	X
	12'	R	R	R	V	X	X	X
	10'6"	R	R	R	V	X	X	X
	9'	V	V	V	V	X	X	X
	7'6"	V	V	V	V	X	X	X
	6'	V	V	X	X	X	X	X
		0	20"	3'	4'6"	6'	7'6"	9'
		Total Horizontal Length						

<b>R</b>	Air Restrictor Required
<b>V</b>	Air Restrictor Not Required
<b>X</b>	Can Not Have That Vent Run





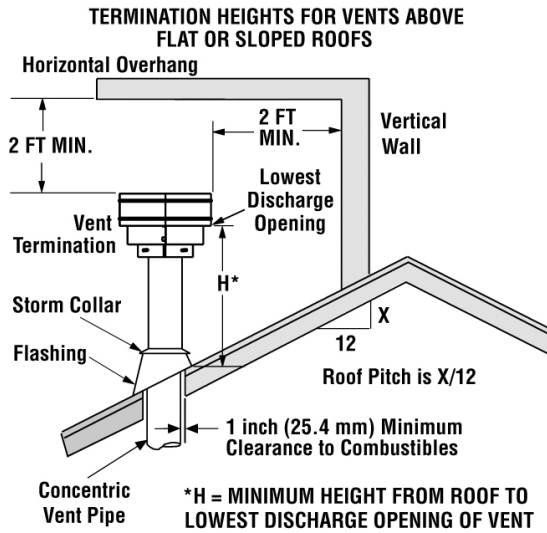
# VENTING CLEARANCES

## VERTICAL TERMINATION CLEARANCES AND REQUIREMENTS

### Important Note for Roof Terminations

These instructions should be used as a guideline and do not supersede local codes in any way. Install venting according to local codes, these instructions, the current National Fuel Gas Code (ANSI Z223.1 in the USA) or the current standard of CAN/CSA-B149.1 in Canada.

### Vertical Vent Termination Clearances

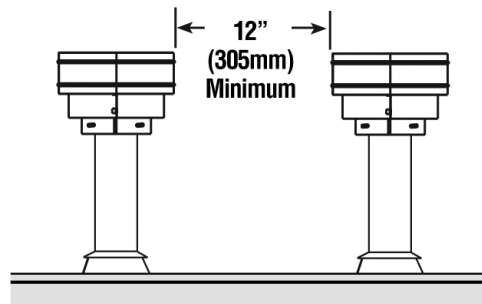


The vent / air intake termination clearances above the high side of an angled roof is as shown in the following chart:

Termination Heights For Vents Above Flat Or Sloped Roofs Ref. NFPA 54 / ANSI Z223.1		
Roof Pitch	* Feet	* Meters
Flat to 6/12	1.0	0.3
6/12 to 7/12	1.25	0.38
7/12 to 8/12	1.5	0.46
8/12 to 9/12	2.0	0.61
9/12 to 10/12	2.5	0.76
10/12 to 11/12	3.25	0.99
11/12 to 12/12	4.0	1.22
12/12 to 14/12	5.0	1.52
14/12 to 16/12	6.0	1.83
16/12 to 18/12	7.0	2.13
18/12 to 20/12	7.5	2.29
20/12 to 21/12	8.0	2.44

Termination Heights

A second termination may be no closer than 12"/305 mm.



Multiple Termination Clearance